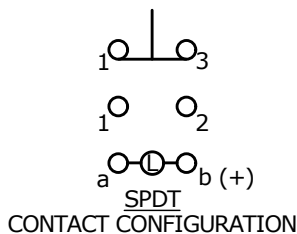
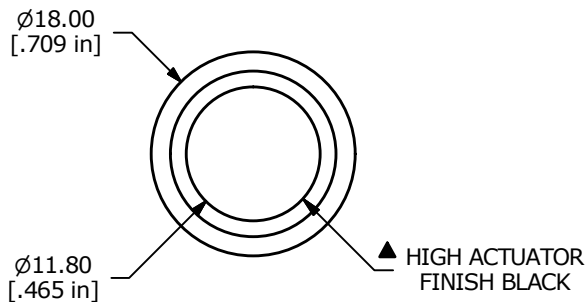


SWITCH FUNCTION	
POS. 1	POS. 2
ON	(ON)
1-3	1-2

(ON) = MOMENTARY

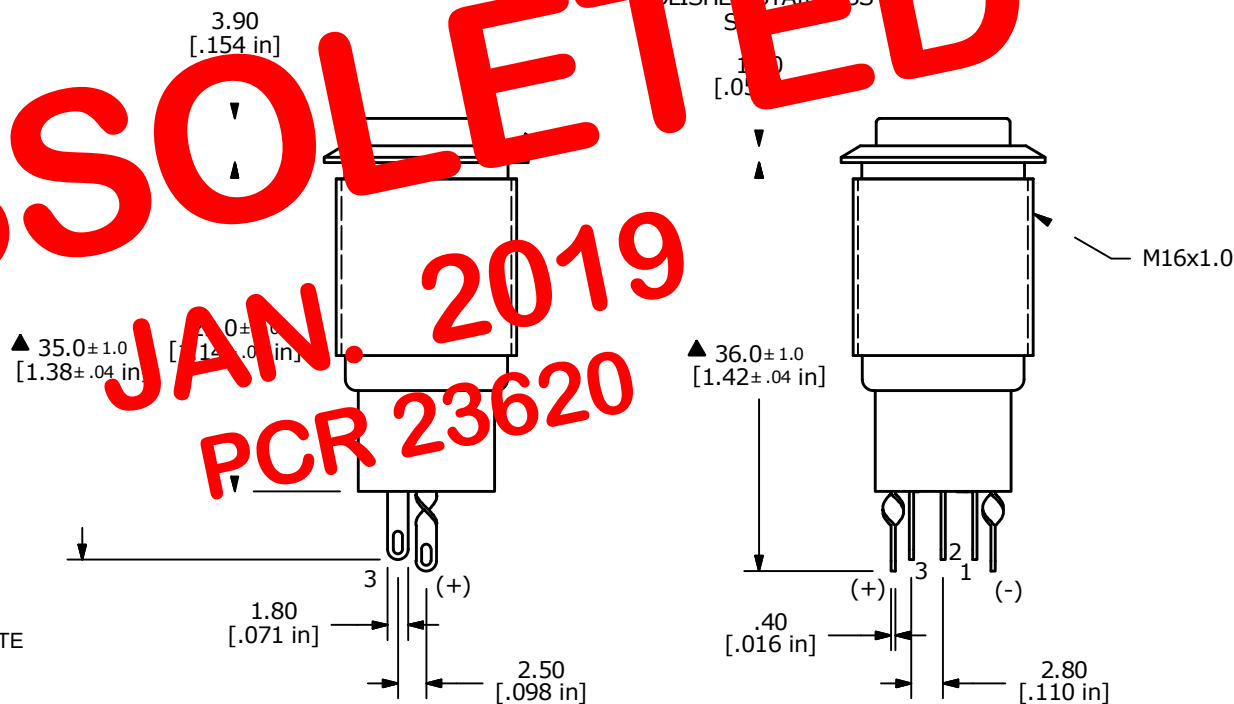


OBSOLETE

JAN. 2019

PCR 23620

- NOTE:
1. ALL DIMENSIONS IN MM [INCH]
 2. GENERAL TOLERANCE: X.X=±0.4
X.XX=±0.25
 3. TERMINAL NUMBERS FOR REF ONLY
 - ▲ 4. CONTACT MATERIAL: GOLD
 5. RATING: 2A 48VDC
 6. ELECTRIC LIFE: 50,000 MAKE-AND-BREAK CYCLES AT FULL LOAD.
 7. INSULATION RESISTANCE: 1,000 MΩ MIN.
 8. DIELECTRIC STRENGTH: 2,000 VAC MIN. FOR 1 MINUTE
 9. CONTACT RESISTANCE: 50mΩ MAX. @ 1A 12VDC
 10. OPERATING TEMP.: -20°C to 55°C
 11. ▲ DENOTES CRITICAL PARAMETER.
 12. HARDWARE SUPPLIED: O-RING AND HEXNUT
 - ▲ 13. INGRESS RATING: IP65
 14. 2011/65/EU (ROHS) COMPLIANT



C	23366	UPDATED RATING TO 2A 48VDC	5/14/18	MJR
B	22889	UPDATEE RATING TO 1A 24VDC	6/27/17	MJR
REV	PCR NO	DESCRIPTION	DATE	BY

TITLE PV3WH2B0S1G				
SCALE 3:2	DATE 10/23/2012	DR EBP	DWG 52-PV3WH2B0S1G	REV C

THE INFORMATION CONTAINED IN THIS DOCUMENT IS PROPRIETARY TO E-SWITCH AND IS NOT TO BE COPIED OR TRANSFERRED